

THERMOELECTRIC COOLER (PELTIER) AIR-TO-AIR



SPECIFICATION

- Using semiconductor electronic cooling, small volume, light weight.
- No compressor, no Freon, no pollution, no vibration, no leak.
- Using no pollution material ,compliance RoHS
- Free mounting, applicable to a variety of places.
- Welded fin-heat sink, high efficiency heat.
- High-dense foam insulation between heat sink and cold heat sink.
- Hot-side heat sink overheat protection temperature setting $+75^{\circ}\text{C} \pm 5^{\circ}\text{C}$

	By012PEL26C	By024PEL50HC	By024PEL70HC
▪ COOLING POWER	26 W	45 W	68 W
▪ VOLTAGE	12 Vdc	24 Vdc	24 Vdc
▪ CURRENT	2.8A	3.5A	4.4A
▪ TEMP. CONTROL	None	None	None
▪ OPERATING TEMP.	-10 ~ +70°C	-10 ~ +70°C	-10 ~ +70°C
▪ MODE	Cool only	Heat / Cool	Heat / Cool
▪ WEIGHT	0.35 kg	1.8 kg	2.6 kg
▪ OPTION: GAP (20mm)	X	--	--

	By024PEL100HC	By024PEL200HC
▪ COOLING POWER	95 W	195 W
▪ VOLTAGE	24 Vdc	24 Vdc
▪ CURRENT	6.2A	12.7A
▪ TEMP. CONTROL	None	None
▪ OPERATING TEMP.	-10 ~ +70°C	-10 ~ +70°C
▪ MODE	Heat / Cool	Heat / Cool
▪ WEIGHT	3.7 Kg	7.1 Kg
▪ OPTION: GAP (20mm)	--	--

Note

Cool only: Using a overheat protector on the bottom of heat sink.

Heat/Cool: Using two overheat protectors both cold sink and heat sink.

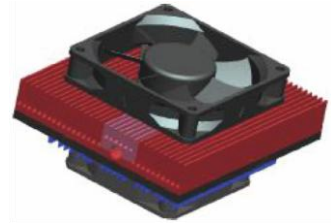
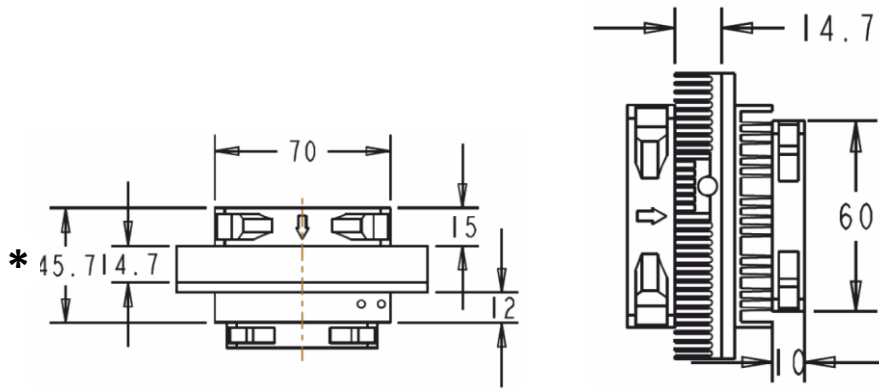
NOTE WITH USE



1. Please use the 12/24VDC switching power, and the ripple factor is less than 10%
2. Don't drop from than 30cm height. the Bi2Te3 will be damaged .
3. Not waterproof, only applied in indoor or outdoor of rainscreen ,(Except IP55)
4. Please keep away from wall or other objects more than 10cm, when install it
5. No starting up, when the ambient temperature and the heat sink is over 70 °C,or it will be damaged.
6. Please read the specification carefully

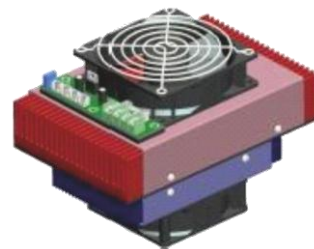
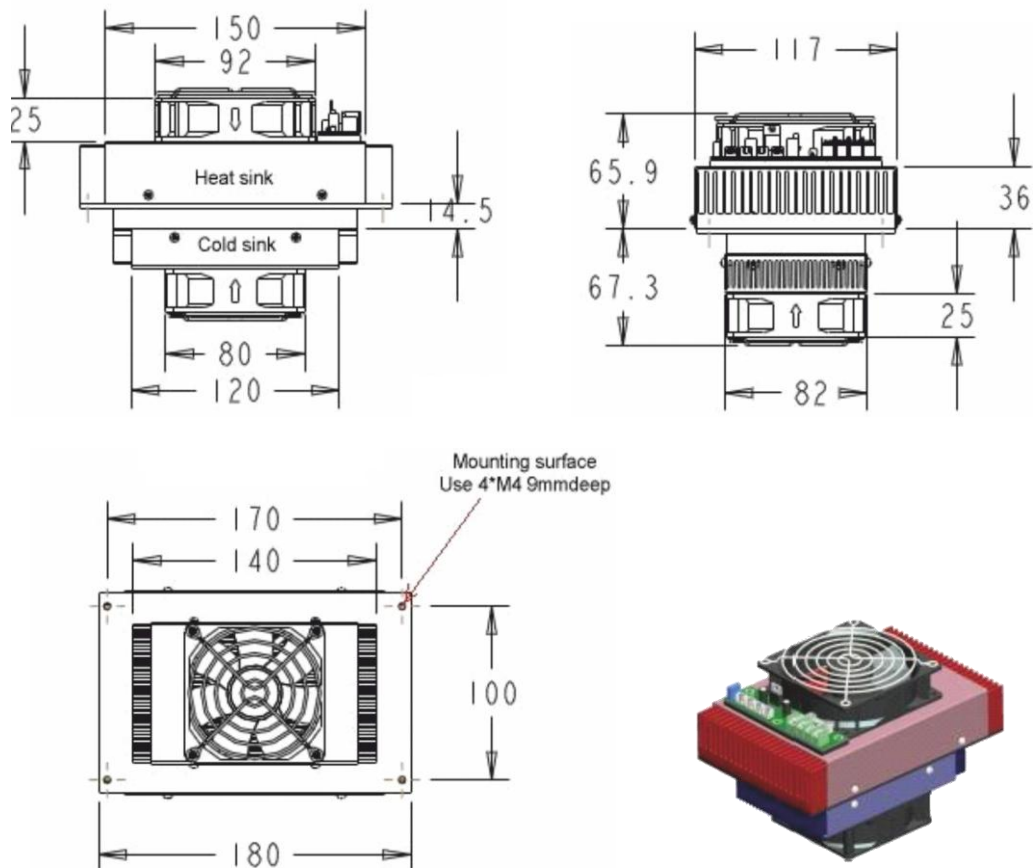
DIMENSIONS

By012PEL26C

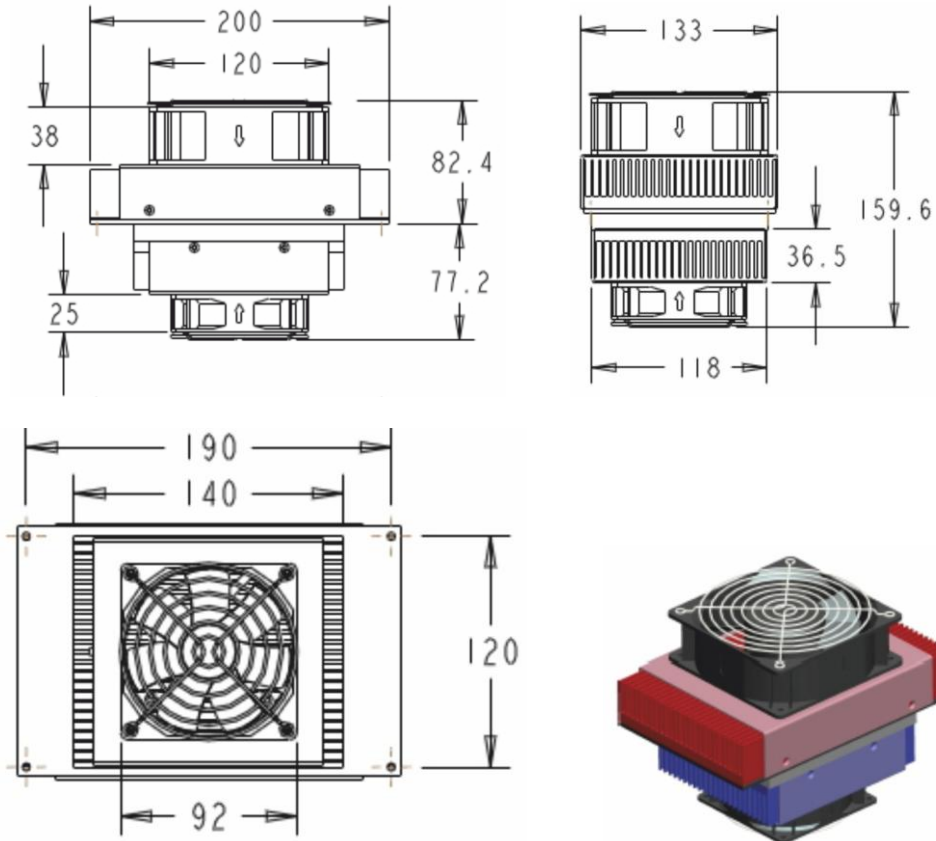


* 65.7 IF OPTION GAP (20mm)

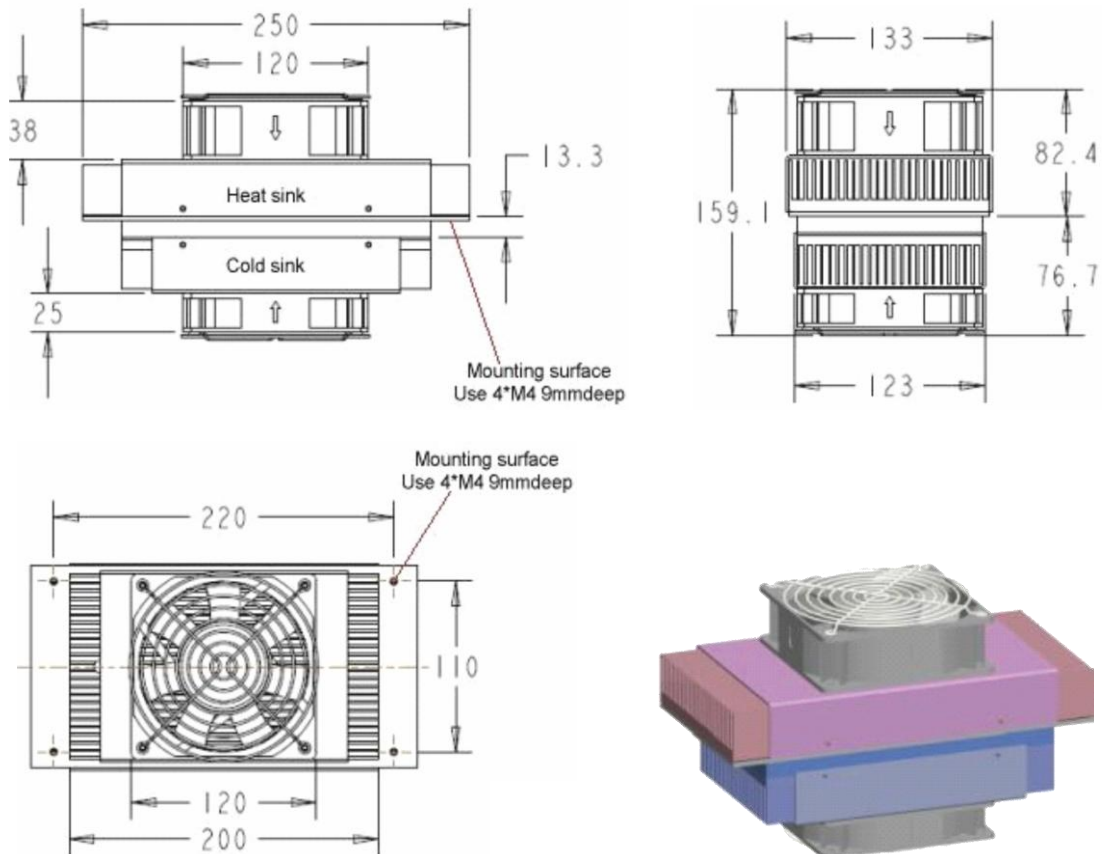
By024PEL50HC



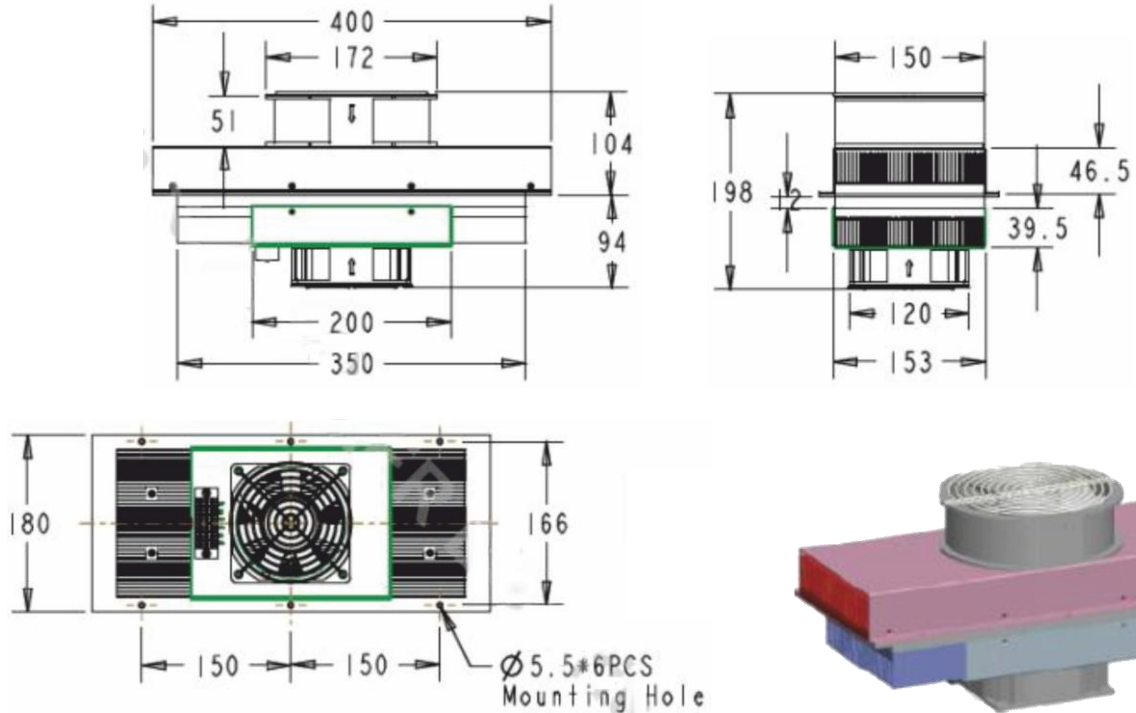
By024PEL70HC



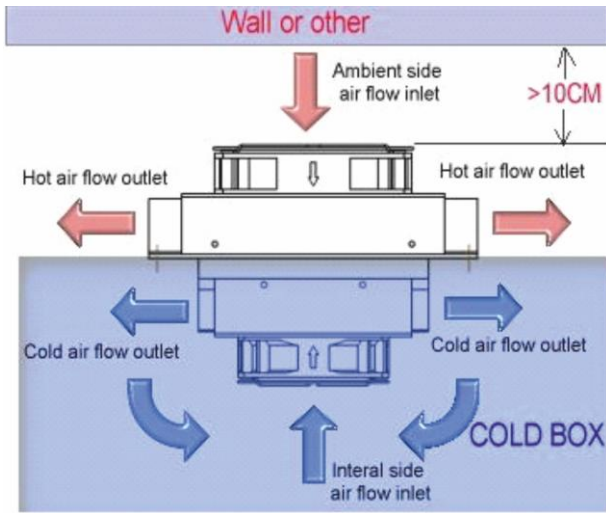
By024PEL100HC



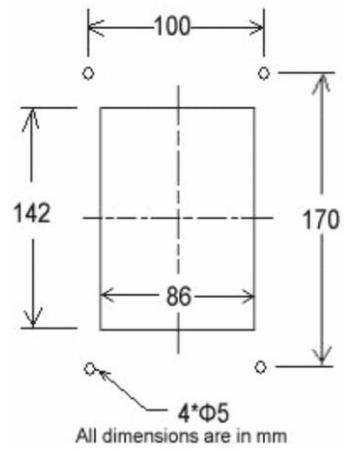
By024PEL200HC



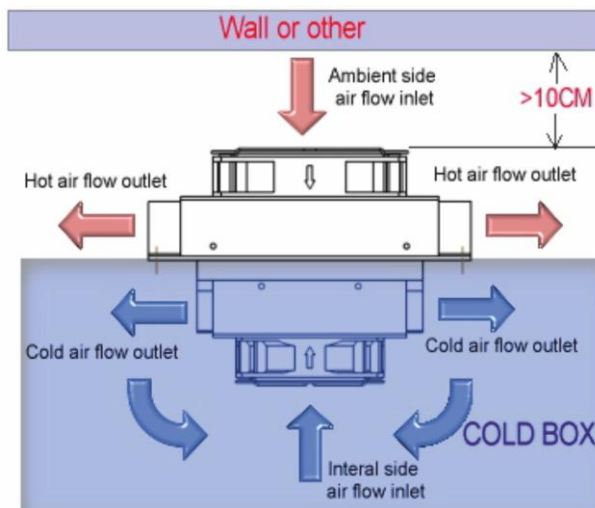
By024PEL50HC



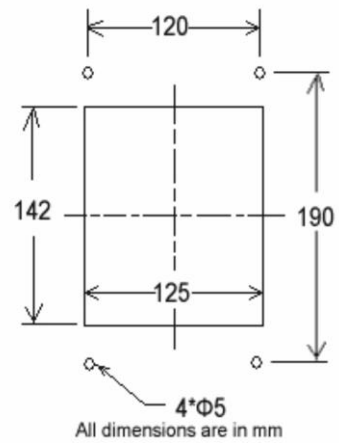
Mounting hole dimensions



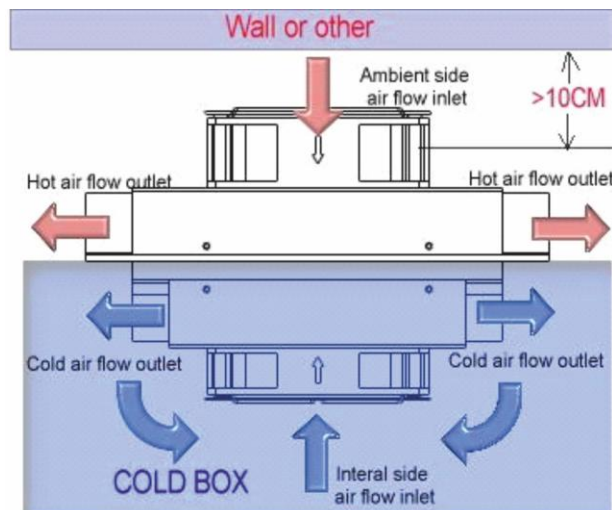
By024PEL70HC



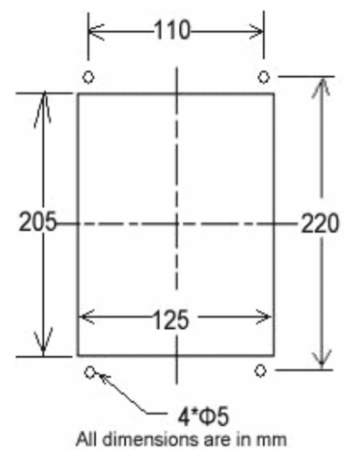
Mounting hole dimensions



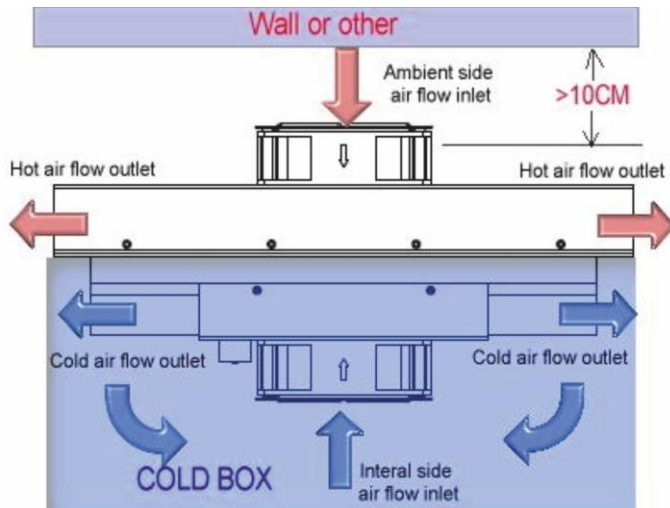
By024PEL100HC



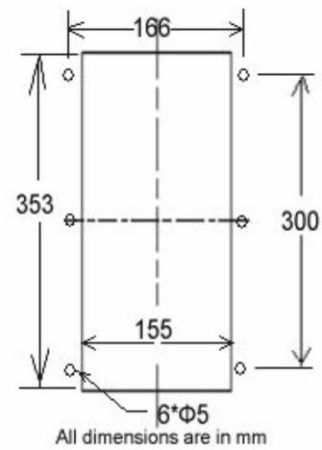
Mounting hole dimensions



By024PEL200HC



Mounting hole dimensions



This guide is for information only.

The manufacturer reserves the right to modify and / or update the product manual without reservation and without prior notice.

The manufacturer, including his international representatives or agents, do not accept any liability for any incidental damage, directly or indirectly, to people or properties through the use of his products.